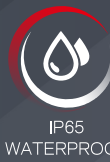


HC08 MODEL

LED Street Light



3 YEARS
WARRANTY



IP65
WATERPROOF



LONG
LASTING



HIGH
BRIGHTNESS

PRODUCT INFORMATION

The LED street light beam replaces traditional normal street lights, saving 80% on energy costs. Ideal for large areas like construction sites and billboards, it's IP65 and IK08 rated, making it waterproof, dustproof, and vandal-proof. The integrated LED lasts 50,000 hours, reducing replacement and maintenance costs. Flicker-free and efficient at 120 lumens per watt, it ensures excellent value and a short payback period.

- Replace halogen lamps with street light luminaires (up to 800W)
- Die-cast aluminum housing with impactresistant acrylic lens
- Optimized weight and size due to compact design
- Very homogenous light
- PC lenses enhance efficiency with excellent light transmission.



TECHNICAL INFORMATION

Colour temperature: 2700-6500K

CCT: Single CCT

Volts: 100-265VAC

Mains frequency: 50/60 Hz

CRI: 80+

Efficacy: 120lm/W

Beam angle: 75*140°

Warranty: 3 Years warranty

LED chip: SMD 3030

Mounting method: Wall mounted / Light pole

Temperature range: -10° C to 65° C

IP rating: IP65

LED tests: LM79/LM80

Material type: Die-cast aluminium body + PC

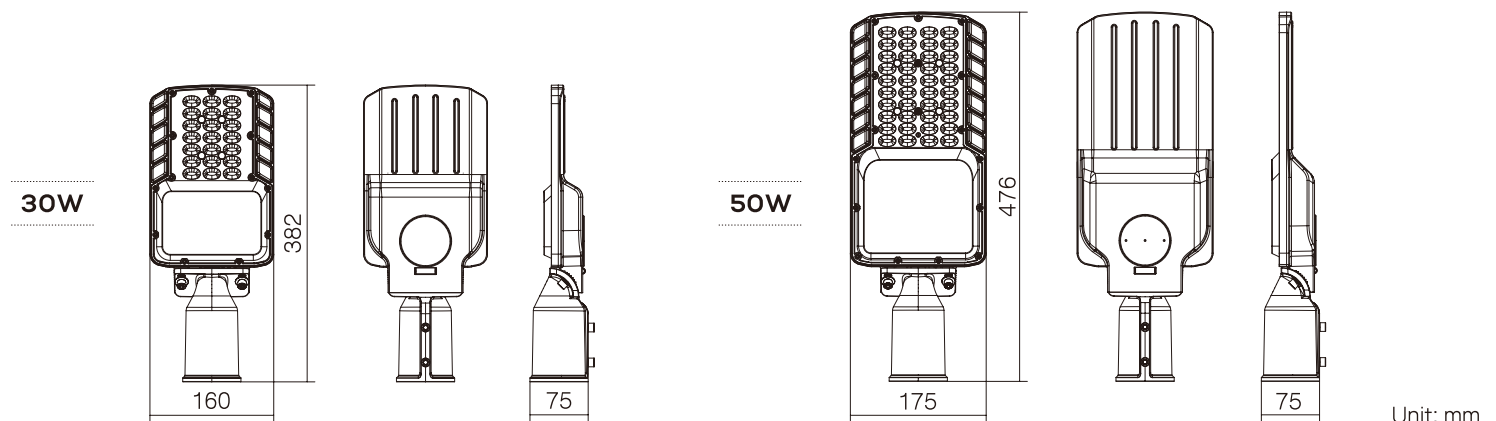
Body colour: Grey

Life: 50000hrs**

Cable length: 30cm*1cm²

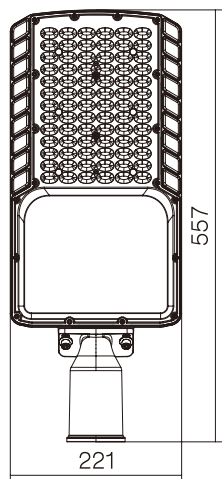
Product Model	HS-HC08-50W	HS-HC08-100W	HS-HC08-150W	HS-HC08-200W	HS-HC08-200W
LED Chip	SMD3030 84pcs	SMD3030 160pcs	SMD3030 312pcs	SMD3030 480pcs	SMD3030 672pcs
Wattage	30W	50W	100W	150W	200W
Luminous Flux	3600Lm	6000Lm	12000Lm	18000Lm	24000Lm

Size

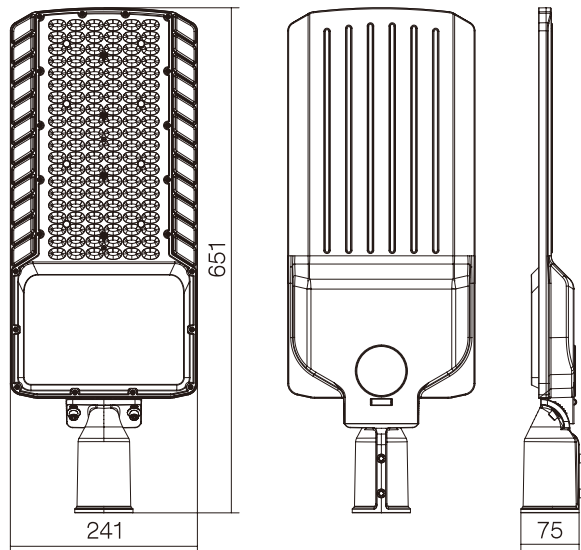


Unit: mm

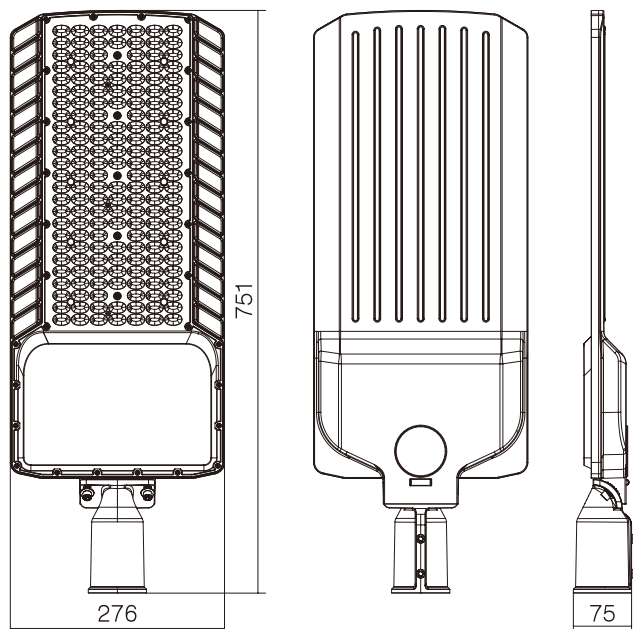
100W



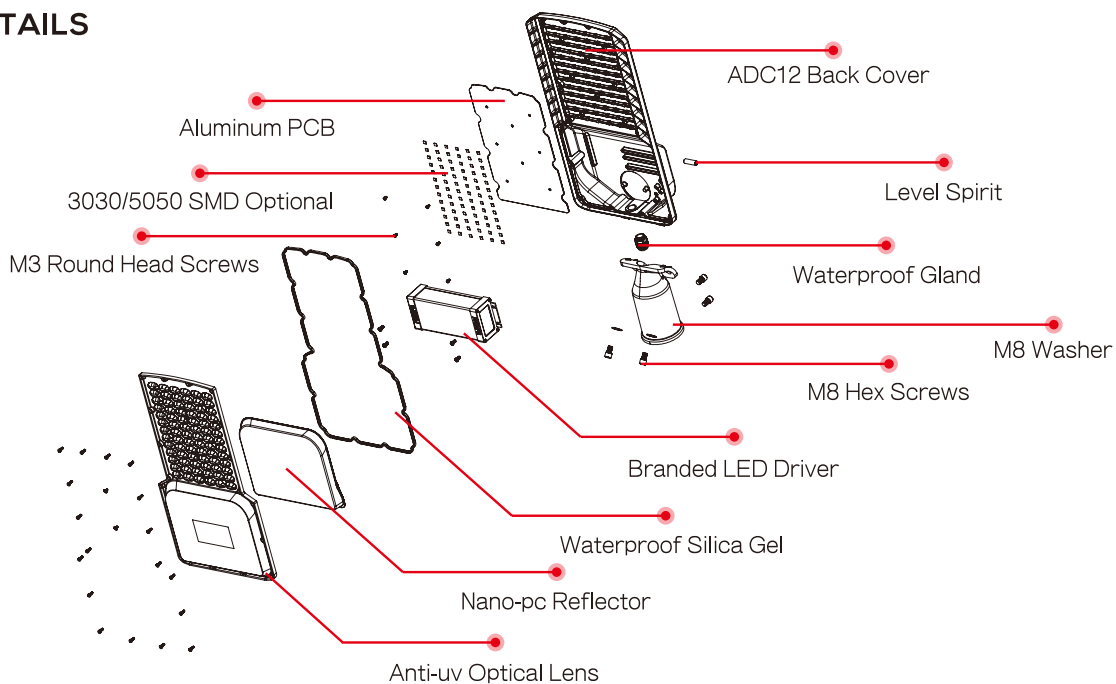
150W



200W

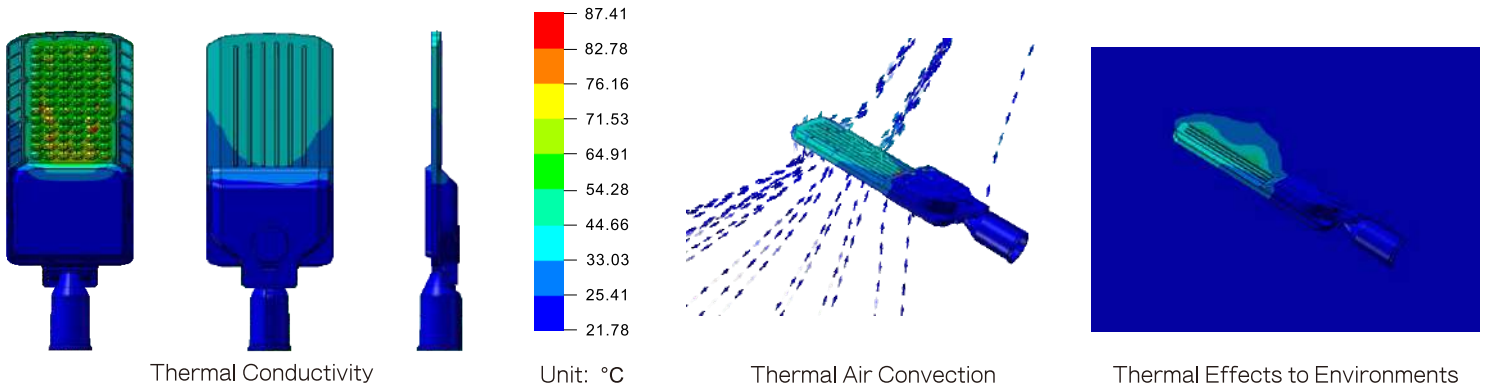


PRODUCT DETAILS



THERMAL MANAGEMENT

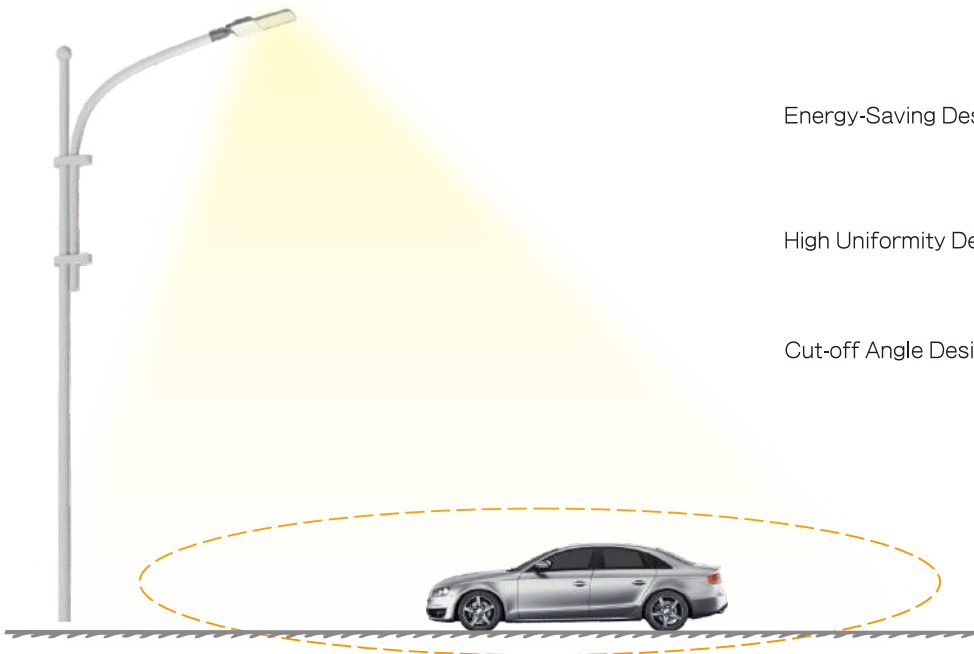
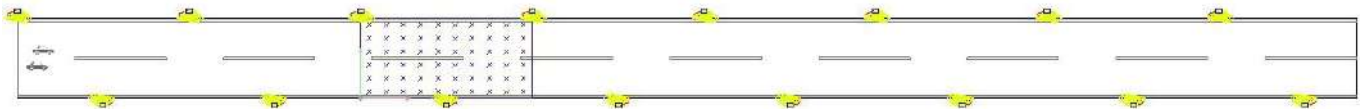
Structure is optimized by advanced FEA technology. Achieving longer lifespan at best cost-efficiency.



OPTICS

Technical Support:

Provide the length, width, height and other parameters of the space, and tell us the purpose of the space, and we can conduct a professional DIALUX lighting simulation for you. Pre-evaluate the installation quantity and illumination effect of lamps for your project. Our company has a complete .ies file for each lamp, you are welcome to request it.



Energy-Saving Design



High Uniformity Design



Cut-off Angle Design



Illuminate the Road without Dazzling

ERP high light efficiency lens

Light transmittance reaches 95%

TP_II-M full cut-off optics

The whole lamp reaches more than 200LM/W

PHOTOMETRIC

